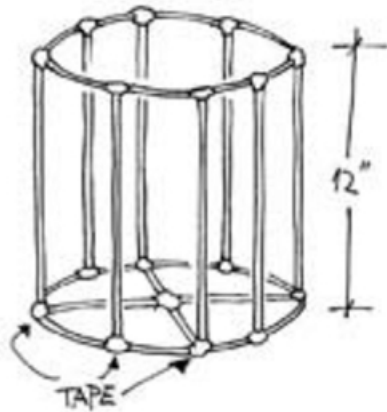




SIMPLE CYLINDER LANTERN

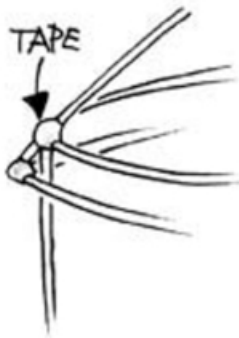
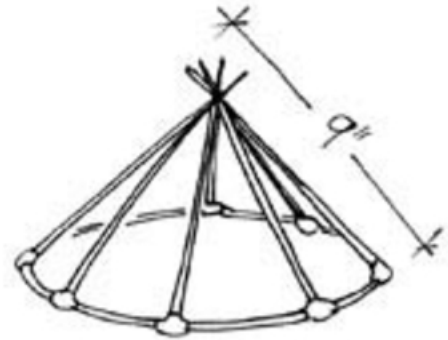
A curved / cylinder lantern similar to the pyramid / wigwam structure

1. To start with you will need to make three withy circles about 10 inches in diameter. Add a cross frame to one of these; This will act as your base.



2. Cut another eight withies about 12 inches in length. Tape one end of each of these around the base at equal intervals. Tape the other ends to one of the other circles to form a cylinder shape. You will need to insert the third circle about half way up the structure for extra support and to give you something to hang your door from.

3. Make another circle about an inch bigger in diameter than your cylinder. Cut another eight withies about 9 inches in length and tape them to this circle as before. Gather all the ends together and tape them to form a cone shape.



4. Place the cone on top of your cylinder and tape them together where they overlap. Attach your candle holder to the base of the cylinder (see pyramid lantern instructions).

5. You are now ready to cover your ship's lantern with tissue paper (see pyramid lantern instructions). Take care to leave an

opening at the top to let heat out and another near the base for a door so you can light the candle!

As a finishing touch you might want to paint some criss-cross lines around the outside of the lantern...don't forget to let the tissue paper dry before you do this!

