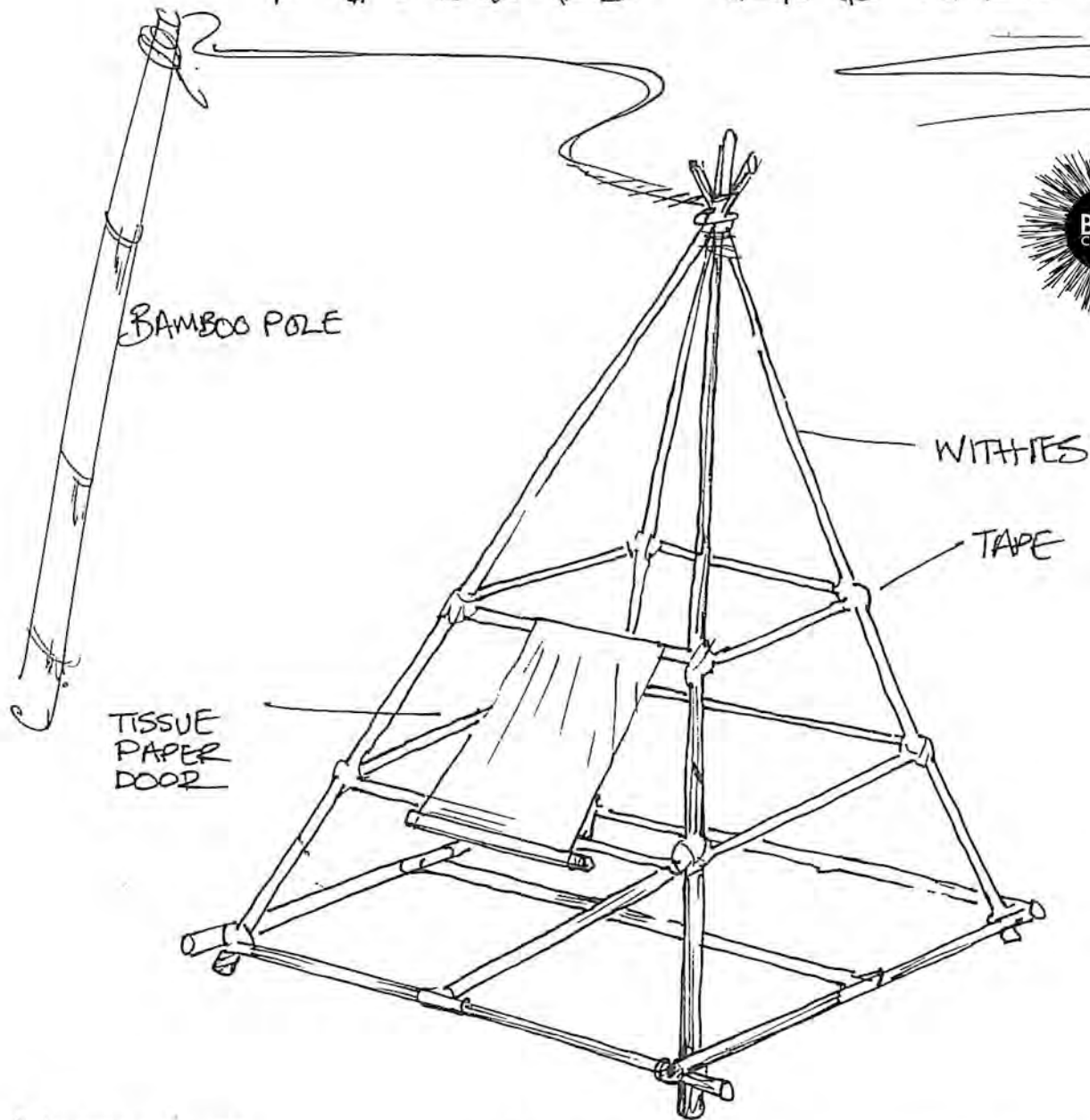


PYRAMID LANTERN



MATERIALS

8 WITHIES
MASKING TAPE
CANDLE HOLDER
BAMBOO POLE
STRING
TISSUE PAPER
PVA GLUE OR LATEX
SCISSORS OR PLIERS

WORKPACK INSTRUCTIONS

UPDATE

This is the classic lantern design. Candle light is beautiful (and cheap) in lanterns, but battery lights are easier and safer to use now. Instead of the candle instructions see what types of battery powered LED or fairy lights you can put in the lantern.

PYRAMID LANTERN

WORKPACK INSTRUCTIONS

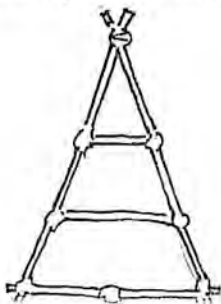
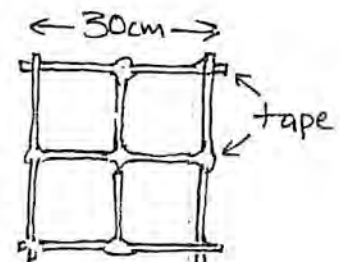
There are many different ways to build Lantern shapes from withies, the Pyramid Lantern shape is just one of the simplest to begin with!

The basic kit is listed on the previous sheet, no tools are required except for a pair of scissors or pliers.

hold the withies (willow branches) together and tape one at a time to build up the framework as shown.

PVA glue should be mixed with water, 1 part PVA to 2 parts water, a small piece of sponge is handy for application but a paint brush will do.

1. Begin with the base taping four pieces of withie to create a square of about 30cm across and insert a cross frame to support the candle holder and candle later. Make the tape joints as secure as possible, use thin strips of masking tape cut about 10cm long.



2. add on the four side withies and tape securely at the top. refer to the large drawing closely for the best placement of the withie sticks.

3. Insert the horizontal cross frame members, this will keep all the sides in shape and provides a frame to hang the tissue paper over later.

4. the next stage is to hang the door. take a piece of tissue wider than your fist and place it flat on the table. wipe on the PVA and water mixture or Latex

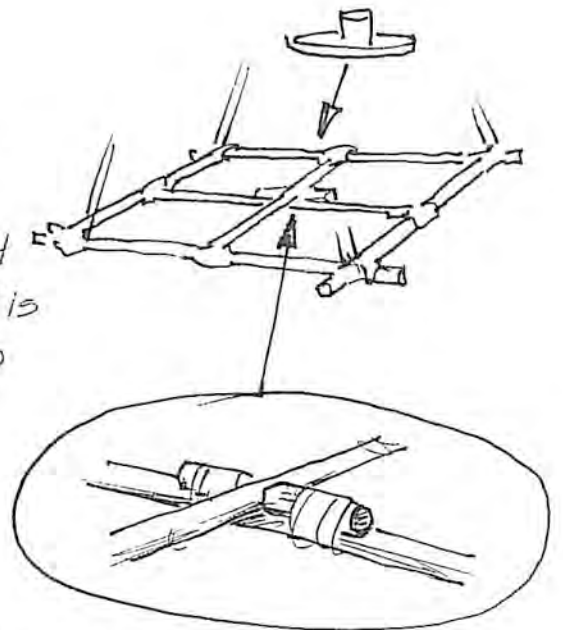
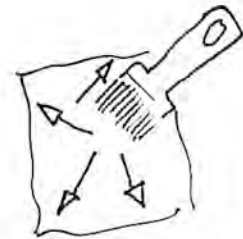
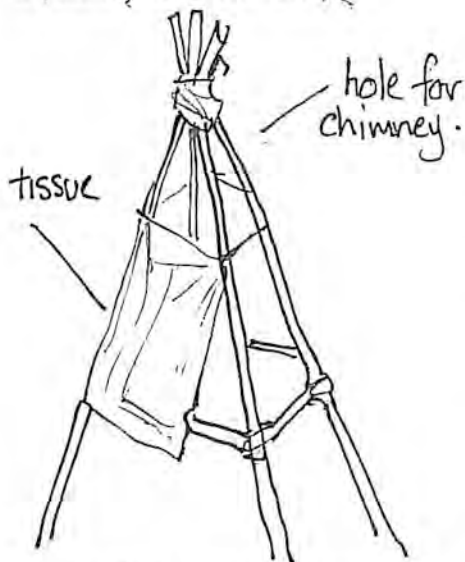
4, continued

glue and water mixture, wipe it on from the center of the tissue paper out to the edges.

5. roll one end in a short, light piece of withie. this will hang down from the top bar and act as a door to light the candle later. refer to the front drawing for details.

6. Tape on two little pieces of withie to create a flat base for the candle holder to rest on as shown. secure the candle holder in position with tape doubled over or with a glue gun. whatever you use make sure it is securely positioned in the center and not likely to go on fire.

7. When the lantern is finished you will have to put your hand in to light the candle. Have a small pile of tissue paper pieces roughly cut into 7 inch squares or wide strips.



Place one piece flat on the table. wipe on the PVA and water mixture or Latex glue and water mixture. wipe it on from the center of the tissue paper out to the edges to stop it crumpling up. cover the rest of the lantern frame with tissue paper pieces taking care not to leave any tissue hanging down on the inside. wipe over with the glue mixture to give a good coverage and to keep flat. the tissue will tighten over the frame as it dries. Important! leave a chimney hole at the top to allow the heat to escape. cover the base of the lantern as well.

8. to finish the lantern tie on the string and pole securely from the top as shown.

